



07 2012

ಗೃಹ ಒಳ

用电力与效率
创造美好世界™



సూచన

సంఖ్య



DŽOP DŽB - చివరి ఉపకరణం 1/1

ACM రకం

ACP రకం

1

చివరి ఉపకరణం



DŽ DŽO - మూడు దశల ఉపకరణం 2/1

SDB రకం

2

మూడు దశల ఉపకరణం



DŽO DŽJ - శక్తి ఉపకరణం 3/1

MDS రకం

3

శక్తి ఉపకరణం



DŽ DŽΔ SPM - బహుళ ఉపకరణం 4/1

SPM రకం

4

బహుళ ఉపకరణం



DŽ DŽD - ఉపకరణం 5/1

LSB రకం (పరికరం) FSB రకం (కేబిల్)

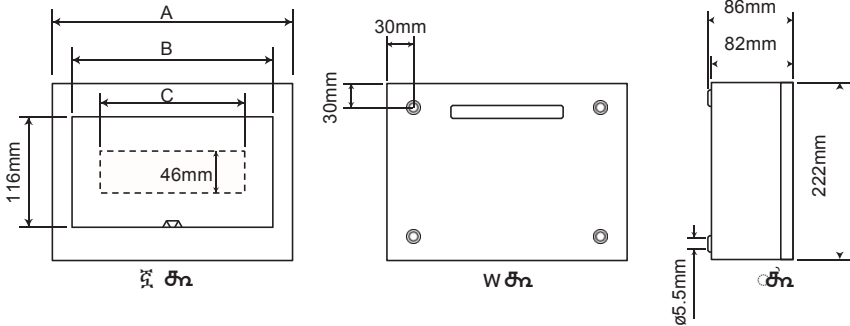
5

ఉపకరణం

终端配电箱 - ACM / ACP 系列

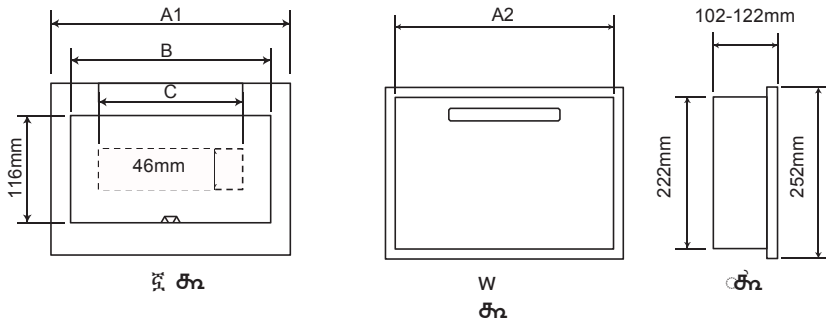
, DŽmmDž

ACM ... SNB



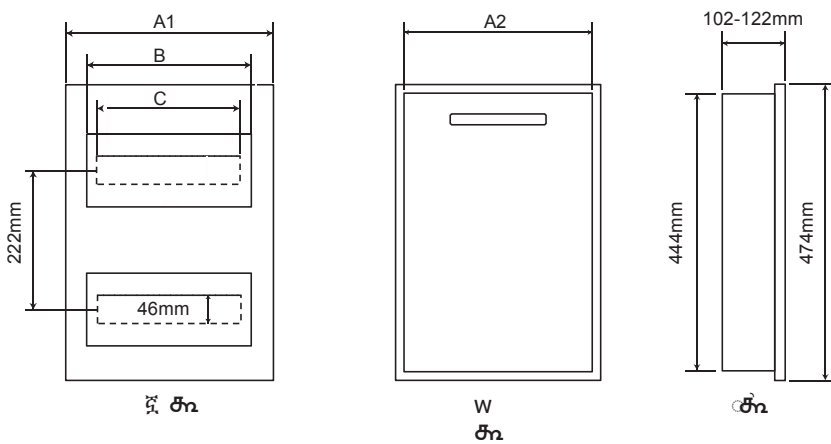
	A	B	C
ACM08SNB	212.5	177.0	141.0
ACM10SNB	247.5	212.0	176.0
ACM13SNB	300.0	264.5	229.0
ACM16SNB	352.5	317.0	282.0
ACM20SNB	422.5	387.0	352.0
ACM23SNB	475.0	439.5	405.0

ACM ... FNB ENU ACP ... FNB ENU



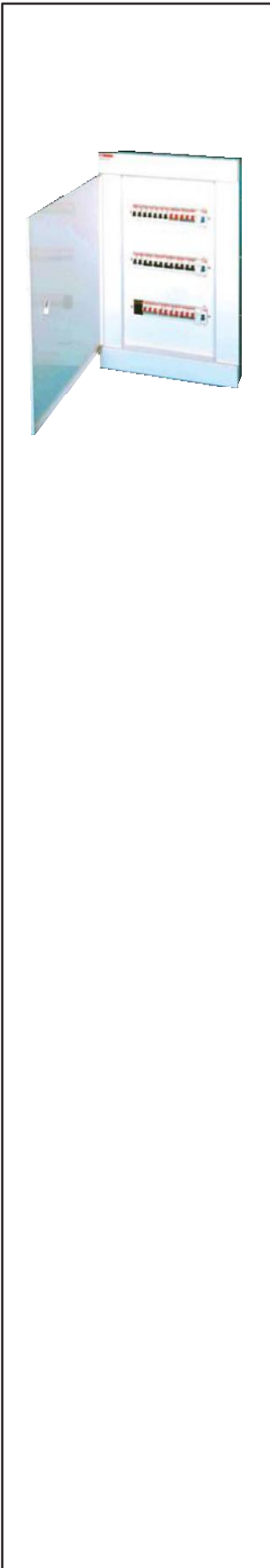
		A1	A2	B	C
ACM	ACP				
ACM08 FNB ENU	ACP08 FNB ENU	242.5	212.5	177.0	141.0
ACM10 FNB ENU	ACP10 FNB ENU	277.5	247.5	212.0	176.0
ACM13 FNB ENU	ACP13 FNB ENU	330.0	300.0	264.5	229.0
ACM16 FNB ENU	ACP16 FNB ENU	382.5	352.5	317.0	282.0
ACM20 FNB ENU	ACP20 FNB ENU	452.5	422.5	387.0	352.0
ACM23 FNB ENU	ACP23 FNB ENU	505.0	475.0	439.5	405.0

ACM ... FNB DŽ Dž



	A1	A2	B	C
ACM2x13 FNB ENU	330.0	300.0	264.5	229.0
ACM2x16 FNB ENU	382.5	352.5	317.0	282.0
ACM2x20 FNB ENU	470.0	440.0	416.9	352.0
ACM2x23 FNB ENU	530.0	500.0	469.4	405.0

SDB ರ ಇ - ಆತೃ ಆಳ



SDB ರ ಇ ದೃ ಫಿ GB17466ರ Lj, Lj ಾಳ ಷ ದ
ಫಿ - ದೃ ಾಳ : ದೃ ಷ Lj ದ . ಾಳ ದೃ

SDB ರ ಇ ದೃ ಫಿ 2ಇ 3ಇ 4ಇ ಿ Lj ಇ ಾಳ 13. ಿ 16. (ಫಿ
ಫಿ ಾಳ)

SDB - SEB (ಾಳ)

ಫಿ ಾಳ DIN ಷ Lj ಇ 13. ಿ ಾಳ

	DIN ಷ ಿಣ	ಫಿ ಾಳ	ಫಿ / 13 (kg)
SDB-SEB 2	2	1	9.01
SDB-SEB 3	3	1	12.41
SDB-SEB 4	4	1	14.43

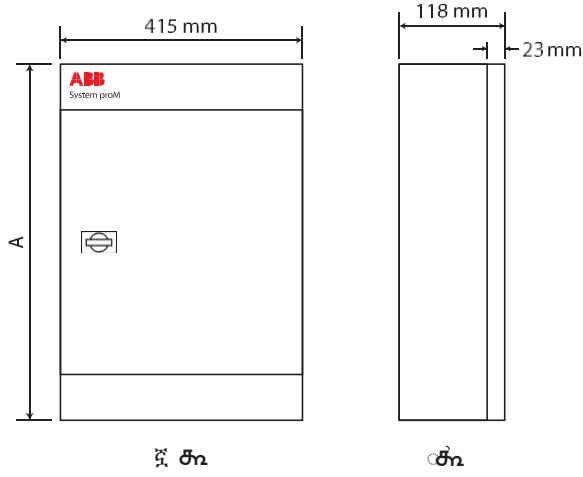
SDB - SEBF (ಫಿ ಾಳ)

ಫಿ ಾಳ DIN ಷ Lj ಇ 13. ಿ 16. ಿ ಾಳ

	DIN ಷ ಿಣ	ಫಿ ಾಳ	ಫಿ / 13 (kg)
SDB-SEBF 2	2	1	10.80
SDB-SEBF 3	3	1	14.89
SDB-SEBF 4	4	1	17.32
SDB-SEBF 4 × 16	4	1	21.16
SDB-SEBF 5 × 16	5	1	26.45

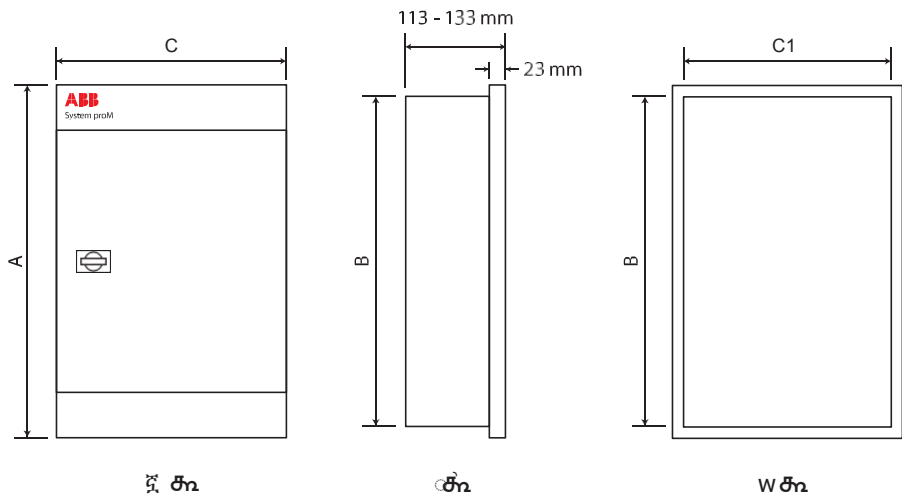
ದ ಉ -SDB ರ
 , DŽ ಇ DŽ

SDB - SEB (ಡ)



	A (mm)
SDB-SEB 2	450
SDB-SEB 3	650
SDB-SEB 4	750

SDB - SEBF (ಫ)



	A (mm)	B (mm)	C (mm)	C1 (mm)
SDB-SEBF 2	480	450	440	410
SDB-SEBF 3	680	650	440	410
SDB-SEBF 4	780	750	440	410
SDB-SEBF 4 x 16	780	750	490	460

ଶୁଦ୍ଧ - MDS ଚ (ଦୂର ମାପ ଓ ଉଚ୍ଚ)

ଈକ୍ଷଣ - ଫୁଲ୍ ମ

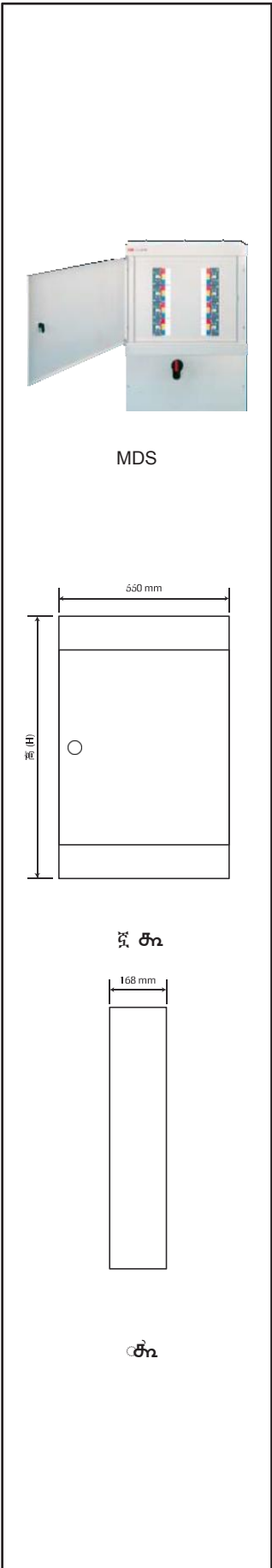
ଶୁଦ୍ଧ ମାପ ଓ ଉଚ୍ଚ

ଶୁଦ୍ଧ ଓଟ 200 ଶୁଦ୍ଧ ମ (200A ଫୁଲ୍ ମ)

ମ (S1)	ମ (S2)	ଘଟ	ଫୁଲ୍ ମ	ଠିକ୍ (kg)	, (H) mm
MDS-DB 202MS/200, S1 3P	MDS-DB 202MS/200, S2 3P	2	1	27	720
MDS-DB 204MS/200, S1 3P	MDS-DB 204MS/200, S2 3P	4	1	33	810
MDS-DB 206MS/200, S1 3P	MDS-DB 206MS/200, S2 3P	6	1	39	900
MDS-DB 208MS/200, S1 3P	MDS-DB 208MS/200, S2 3P	8	1	46	990
MDS-DB 210MS/200, S1 3P	MDS-DB 210MS/200, S2 3P	10	1	52	1080
MDS-DB 212MS/200, S1 3P	MDS-DB 212MS/200, S2 3P	12	1	60	1170
MDS-DB 214MS/200, S1 3P	MDS-DB 214MS/200, S2 3P	14	1	68	1350
MDS-DB 216MS/200, S1 3P	MDS-DB 216MS/200, S2 3P	16	1	76	1440
MDS-DB 202MS/200, T1 3P	MDS-DB 202MS/200, T2 3P	2	1	27	720
MDS-DB 204MS/200, T1 3P	MDS-DB 204MS/200, T2 3P	4	1	33	810
MDS-DB 206MS/200, T1 3P	MDS-DB 206MS/200, T2 3P	6	1	39	900
MDS-DB 208MS/200, T1 3P	MDS-DB 208MS/200, T2 3P	8	1	46	990
MDS-DB 210MS/200, T1 3P	MDS-DB 210MS/200, T2 3P	10	1	52	1080
MDS-DB 212MS/200, T1 3P	MDS-DB 212MS/200, T2 3P	12	1	60	1170
MDS-DB 214MS/200, T1 3P	MDS-DB 214MS/200, T2 3P	14	1	68	1350
MDS-DB 216MS/200, T1 3P	MDS-DB 216MS/200, T2 3P	16	1	76	1440

ଶୁଦ୍ଧ ଓଟ 250 ଶୁଦ୍ଧ ମ (250A ଫୁଲ୍ ମ)

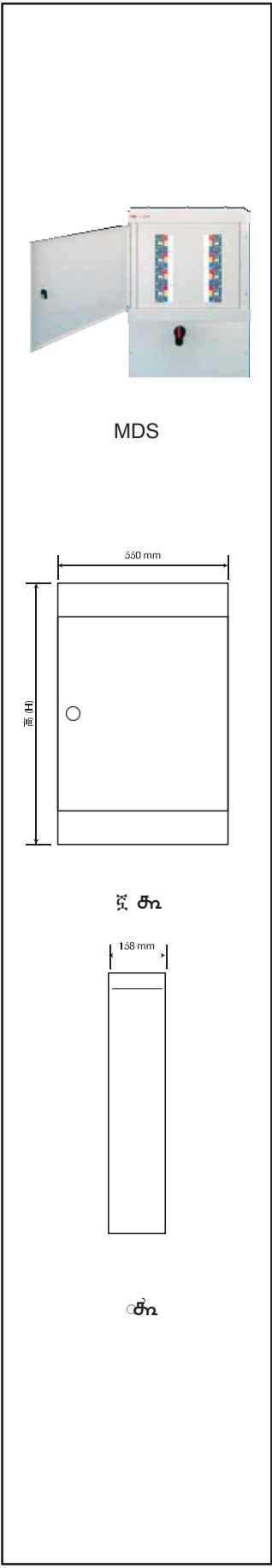
ମ (S1)	ମ (S2)	ଘଟ	ଫୁଲ୍ ମ	ଠିକ୍ (kg)	, (H) mm
MDS-DB 202MS/250, S1 3P	MDS-DB 202MS/250, S2 3P	2	1	27	720
MDS-DB 204MS/250, S1 3P	MDS-DB 204MS/250, S2 3P	4	1	33	810
MDS-DB 206MS/250, S1 3P	MDS-DB 206MS/250, S2 3P	6	1	39	900
MDS-DB 208MS/250, S1 3P	MDS-DB 208MS/250, S2 3P	8	1	46	990
MDS-DB 210MS/250, S1 3P	MDS-DB 210MS/250, S2 3P	10	1	52	1080
MDS-DB 212MS/250, S1 3P	MDS-DB 212MS/250, S2 3P	12	1	60	1170
MDS-DB 214MS/250, S1 3P	MDS-DB 214MS/250, S2 3P	14	1	68	1350
MDS-DB 216MS/250, S1 3P	MDS-DB 216MS/250, S2 3P	16	1	76	1440
MDS-DB 202MS/250, T1 3P	MDS-DB 202MS/250, T2 3P	2	1	27	720
MDS-DB 204MS/250, T1 3P	MDS-DB 204MS/250, T2 3P	4	1	33	810
MDS-DB 206MS/250, T1 3P	MDS-DB 206MS/250, T2 3P	6	1	39	900
MDS-DB 208MS/250, T1 3P	MDS-DB 208MS/250, T2 3P	8	1	46	990
MDS-DB 210MS/250, T1 3P	MDS-DB 210MS/250, T2 3P	10	1	52	1080
MDS-DB 212MS/250, T1 3P	MDS-DB 212MS/250, T2 3P	12	1	60	1170
MDS-DB 214MS/250, T1 3P	MDS-DB 214MS/250, T2 3P	14	1	68	1350
MDS-DB 216MS/250, T1 3P	MDS-DB 216MS/250, T2 3P	16	1	76	1440



ଶୁଦ୍ଧ ଓଟ ଠିକ୍ ମାପ ଓ ଉଚ୍ଚ, Ljdtj ଠିକ୍ ମାପ

3
ଦୂର ମାପ ଓ ଉଚ୍ଚ

ମୂଳ - MDS ଚ (ଦର୍ଶନ ସାଧନ ଓ ଉପାଦାନ) ଈକାଙ୍କିତ - ଫର୍ମାଟ



ମୂଳ ସାଧନ ଓ ଉପାଦାନ

ଈକାଙ୍କିତ OT630 ଚ (630A ଉପାଦାନ)

ମ (S1)	ମ (S2)	ଈକାଙ୍କିତ	ଈକାଙ୍କିତ ଚ (kg)	ଈକାଙ୍କିତ (H) mm	
MDS-DB 602MS/600, S1 3P	MDS-DB 602MS/600, S2 3P	2	1	35	720
MDS-DB 604MS/600, S1 3P	MDS-DB 604MS/600, S2 3P	4	1	41	810
MDS-DB 606MS/600, S1 3P	MDS-DB 606MS/600, S2 3P	6	1	48	900
MDS-DB 608MS/600, S1 3P	MDS-DB 608MS/600, S2 3P	8	1	54	990
MDS-DB 610MS/600, S1 3P	MDS-DB 610MS/600, S2 3P	10	1	62	1080
MDS-DB 612MS/600, S1 3P	MDS-DB 612MS/600, S2 3P	12	1	70	1170
MDS-DB 614MS/600, S1 3P	MDS-DB 614MS/600, S2 3P	14	1	78	1350
MDS-DB 616MS/600, S1 3P	MDS-DB 616MS/600, S2 3P	16	1	86	1440
MDS-DB 602MS/600, T1 3P	MDS-DB 602MS/600, T2 3P	2	1	35	720
MDS-DB 604MS/600, T1 3P	MDS-DB 604MS/600, T2 3P	4	1	41	810
MDS-DB 606MS/600, T1 3P	MDS-DB 606MS/600, T2 3P	6	1	48	900
MDS-DB 608MS/600, T1 3P	MDS-DB 608MS/600, T2 3P	8	1	54	990
MDS-DB 610MS/600, T1 3P	MDS-DB 610MS/600, T2 3P	10	1	62	1080
MDS-DB 612MS/600, T1 3P	MDS-DB 612MS/600, T2 3P	12	1	70	1170
MDS-DB 614MS/600, T1 3P	MDS-DB 614MS/600, T2 3P	14	1	78	1350
MDS-DB 616MS/600, T1 3P	MDS-DB 616MS/600, T2 3P	16	1	86	1440

ଈକାଙ୍କିତ S5 / T5 ଚ (630A ଉପାଦାନ)

ମ (S1)	ମ (S2)	ଈକାଙ୍କିତ	ଈକାଙ୍କିତ ଚ (kg)	ଈକାଙ୍କିତ (H) mm	
MDS-DB 602MS/S5, S1 3P	MDS-DB 602MS/S5, S2 3P	2	1	15	450
MDS-DB 604MS/S5, S1 3P	MDS-DB 604MS/S5, S2 3P	4	1	21	540
MDS-DB 606MS/S5, S1 3P	MDS-DB 606MS/S5, S2 3P	6	1	27	630
MDS-DB 608MS/S5, S1 3P	MDS-DB 608MS/S5, S2 3P	8	1	33	720
MDS-DB 610MS/S5, S1 3P	MDS-DB 610MS/S5, S2 3P	10	1	39	810
MDS-DB 612MS/S5, S1 3P	MDS-DB 612MS/S5, S2 3P	12	1	46	900
MDS-DB 614MS/S5, S1 3P	MDS-DB 614MS/S5, S2 3P	14	1	52	1080
MDS-DB 616MS/S5, S1 3P	MDS-DB 616MS/S5, S2 3P	16	1	60	1170
MDS-DB 602MS/T5, T1 3P	MDS-DB 602MS/T5, T2 3P	2	1	15	450
MDS-DB 604MS/T5, T1 3P	MDS-DB 604MS/T5, T2 3P	4	1	21	540
MDS-DB 606MS/T5, T1 3P	MDS-DB 606MS/T5, T2 3P	6	1	27	630
MDS-DB 608MS/T5, T1 3P	MDS-DB 608MS/T5, T2 3P	8	1	33	720
MDS-DB 610MS/T5, T1 3P	MDS-DB 610MS/T5, T2 3P	10	1	39	810
MDS-DB 612MS/T5, T1 3P	MDS-DB 612MS/T5, T2 3P	12	1	46	900
MDS-DB 614MS/T5, T1 3P	MDS-DB 614MS/T5, T2 3P	14	1	52	1080
MDS-DB 616MS/T5, T1 3P	MDS-DB 616MS/T5, T2 3P	16	1	60	1170

ଈକାଙ୍କିତ ଚ (H) mm, Ljdtu ଚ (H) mm

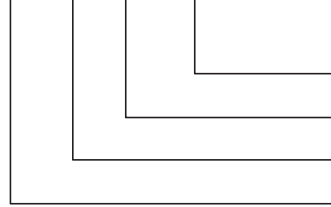
3
ଈକାଙ୍କିତ ଚ (H) mm

多功能控制箱 - SPM

၅



SPM - 6 4 D250

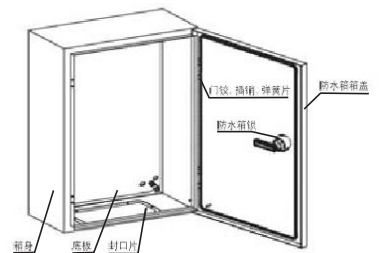
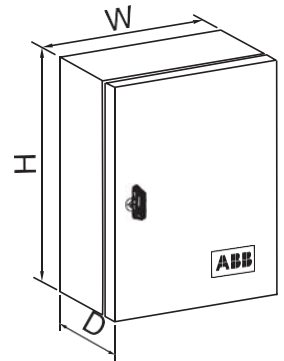


၂: ၂၂၅၀ mm ၂: ၂၄၀၀ mm
 ၂: ၂၆၀၀ mm
 ၂: ၂SPM (Special Protection Metal)

(mm)



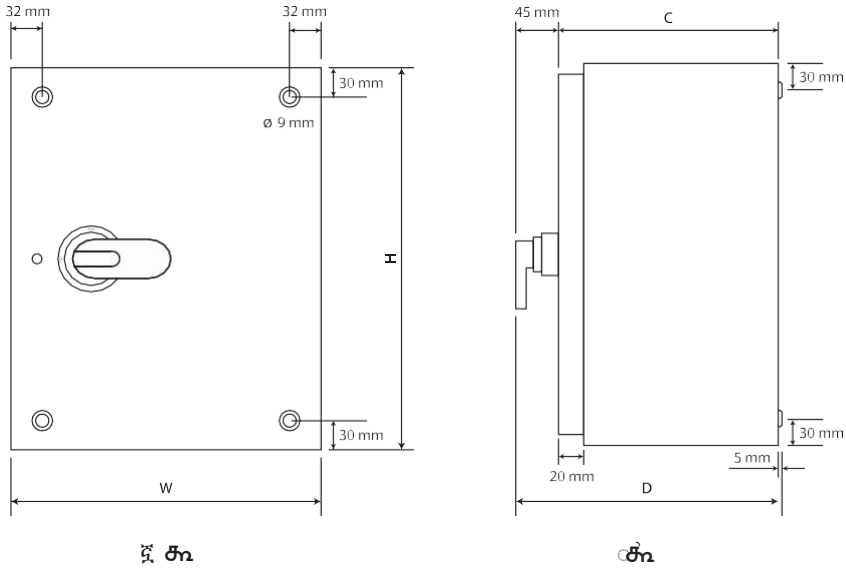
(IP55)	(IP66)	(HxWxD)
SPM-3025D150 SPM-3025D200	SPM-3025D150-IP66-1.5 SPM-3025D200-IP66-1.5	300 x 250 x 150 300 x 250 x 200
SPM-33D150 SPM-33D200	SPM-33D150-IP66-1.5 SPM-33D200-IP66-1.5	300 x 300 x 150 300 x 300 x 200
SPM-43D150 SPM-43D200	SPM-43D150-IP66-1.5 SPM-43D200-IP66-1.5	400 x 300 x 150 400 x 300 x 200
SPM-54D150 SPM-54D200 SPM-54D250	SPM-54D150-IP66-1.5 SPM-54D200-IP66-1.5 SPM-54D250-IP66-1.5	500 x 400 x 150 500 x 400 x 200 500 x 400 x 250
SPM-64D150 SPM-64D200 SPM-64D250	SPM-64D150-IP66-1.5 SPM-64D200-IP66-1.5 SPM-64D250-IP66-1.5	600 x 400 x 150 600 x 400 x 200 600 x 400 x 250
SPM-65D150 SPM-65D200 SPM-65D250	SPM-65D150-IP66-1.5 SPM-65D200-IP66-1.5 SPM-65D250-IP66-1.5	600 x 500 x 150 600 x 500 x 200 600 x 500 x 250
SPM-75D150 SPM-75D200 SPM-75D250 SPM-75D300	SPM-75D150-IP66-1.5 SPM-75D200-IP66-1.5 SPM-75D250-IP66-1.5 SPM-75D300-IP66-1.5	700 x 500 x 150 700 x 500 x 200 700 x 500 x 250 700 x 500 x 300
SPM-86D200 SPM-86D250 SPM-86D300 SPM-86D350	SPM-86D200-IP66-1.5 SPM-86D250-IP66-1.5 SPM-86D300-IP66-1.5 SPM-86D350-IP66-1.5	800 x 600 x 200 800 x 600 x 250 800 x 600 x 300 800 x 600 x 350
SPM-106D250 SPM-106D300 SPM-106D350	SPM-106D250-IP66-1.5 SPM-106D300-IP66-1.5 SPM-106D350-IP66-1.5	1000 x 600 x 250 1000 x 600 x 300 1000 x 600 x 350
SPM-108D250 SPM-108D300 SPM-108D350	SPM-108D250-IP66-1.5 SPM-108D300-IP66-1.5 SPM-108D350-IP66-1.5	1000 x 800 x 250 1000 x 800 x 300 1000 x 800 x 350
SPM-128D250 SPM-128D300 SPM-128D350 SPM-128D450	SPM-128D250-IP66-1.5 SPM-128D300-IP66-1.5 SPM-128D350-IP66-1.5 SPM-128D450-IP66-1.5	1200 x 800 x 250 1200 x 800 x 300 1200 x 800 x 350 1200 x 800 x 450



4

多功能控制箱

ଢ଼ଞ୍ଚା - LSB FSB ଚିତ୍ର (mm)



ଢ଼ଞ୍ଚା	, (H x W x D)			
3ଫ / 4ଫ	W	H	C	D
LSB-40-3P / LSB-40-4P	140	200	100	145
LSB-63-3P / LSB-63-4P	140	200	100	145
LSB-160-3P / LSB-160-4P	300	400	200	245
LSB-200-3P / LSB-200-4P	300	400	250	295
LSB-250-3P / LSB-250-4P	400	500	250	295
LSB-315-3P / LSB-315-4P	500	600	250	295
LSB-400-3P / LSB-400-4P	500	600	250	295

ଚିତ୍ର	, (H x W x D)			
3ଫ / 4ଫ	W	H	C	D
FSB-32-3P / FSB-32-4P	300	300	200	245
FSB-63-3P / FSB-63-4P	300	300	200	245
FSB-125-3P / FSB-125-4P	300	300	200	245
FSB-160-3P / FSB-160-4P	400	500	250	295
FSB-250-3P / FSB-250-4P	400	500	250	295